

***PARTS CATALOGUE***  
***FOR MODELS***  
***KH-710/120 & KR-710/120***

**Note:** The special parts for KH-120 and KR-120 are listed in the column "Parts No. KH-120 or KR-120", and the other parts are in common for both models.

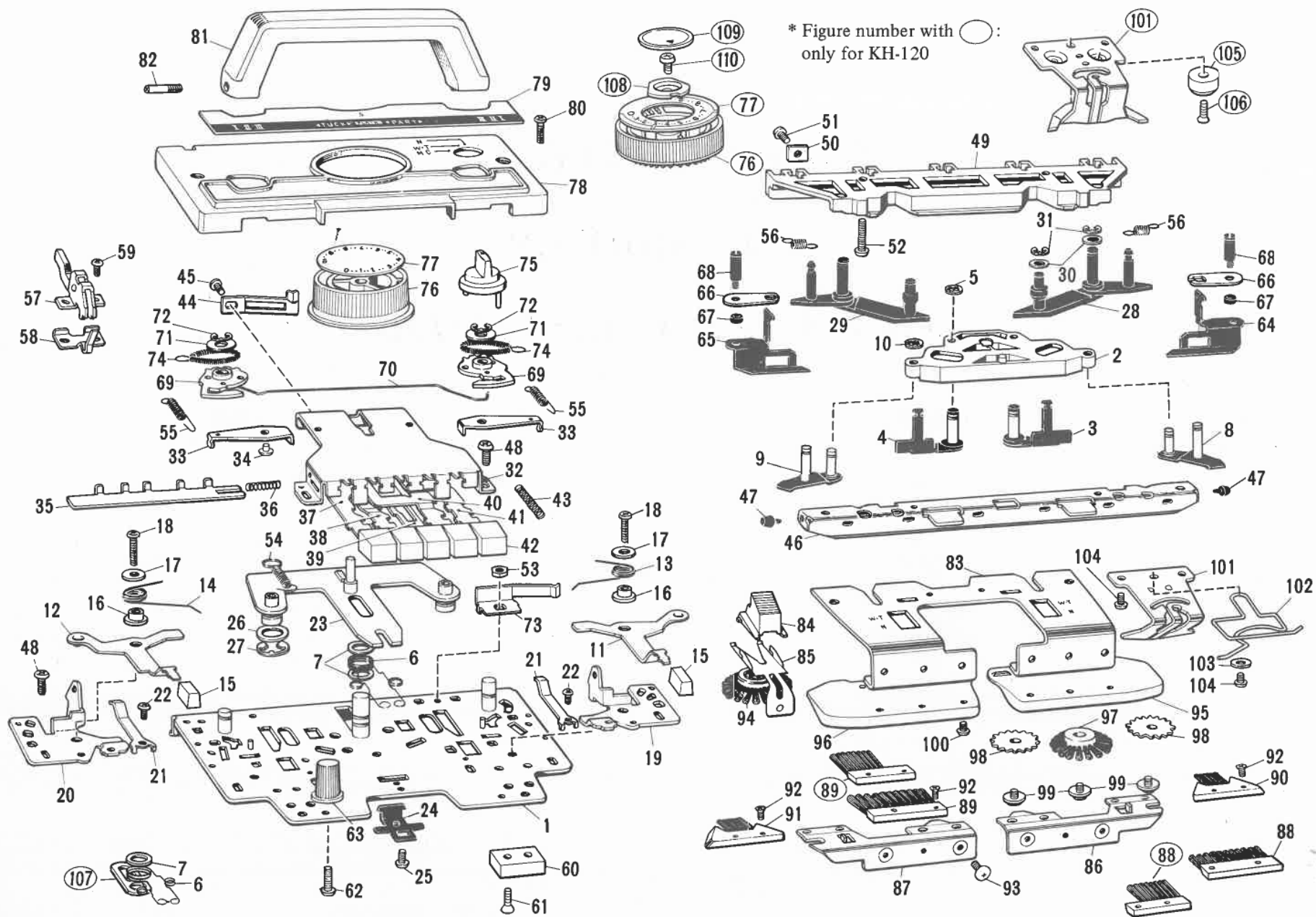


Fig. A PARTS FOR CARRIAGE

# KH-710/120 PARTS FOR CARRIAGE

Ref. No.	Parts No.		Discription	Q'ty	Ref. No.	Parts No.		Discription	Q'ty
	KH-710	KH-120				KH-710	KH-120		
A1-104(110)	409392001	409470001	Carriage complete set	1	A62	002681203		Screw	2
A1	409393001	409228001	Carriage plate	1	63	404699004		Thumb nut	2
2	405922000	409366000	Guide cam	1	64	405318001	409242001	MC cam, right	1
3	409367001		Tuck cam, right	1	65	405319001	409243001	MC cam, left	1
4	409369001		Tuck cam, left	1	66	405320001		MC cam presser plate	2
5	405523001		Snap ring, 4	2	67	405321001		Collar	2
6	405268001		Tuck cam spring	1	68	405322001		Stud for MC cam	2
7	405516001		Washer	2	69	405323000		Switch cam	2
8	408330001		Holding cam, right	1	70	405324001		Switch cam connecting wire	1
9	408332001		Holding cam, left	1	71	405325001		Washer	2
10	405523001		Snap ring, 4	2	72	048050346		Snap ring	2
11	408333001		Holding cam lever, right	1	73	405327001		MC knob spring	1
12	408334001		Holding cam lever, left	1	74	405485001		MC cam spring	2
13	408336001		Holding cam lever spring, right	1	75	408342002		Change knob	1
14	408337001		Holding cam lever spring, left	1	76	405332002	409372001	Stitch dial	1
15	405275002		Holding cam switch lever knob	2	77	405333003	409244001	Stitch dial indicator plate	1
16	408338001		Spacer	2	78-79	409417001	409486001	Carriage cover assembly	1
17	025030336		Washer	2	78				
18	000661204		Fastening screw	2	79	409419001	409487001	Carriage cover decoration plate	1
19	408339001		Handle setting base, right	1	80	000661403		Screw	2
20	408340001		Handle setting base, left	1	81	407419006		Carriage handle	1
21	408341001		Handle lock spring	2	82	407422001		Screw	2
22	000660403		Screw	2	83-104	409395001	409472001	Sinker plate assembly with feeder	1
23	405282001	409455001	Stitch cam guide plate	1	83-100	409396001	409473001	Sinker plate assembly	1
24	405285001		Stripe adjuster plate	1	83	409397001	409474001	Sinker plate arm	1
25	000670403		Screw	1	84	405340007		Laying in knitting button	2
26	405483001		Washer	2	85	405492001	409469001	Laying-in knitting wheel brush arm	2
27	048070346		Snap ring	2	86	406293001	407076001	Brush arm, right	1
28	409235001		Stitch cam assembly, right	1	87	406294001	407077001	Brush arm, left	1
29	409239001		Stitch cam assembly, left	1	88	405343001	409233001	Latch opening brush, right	1
30	403387001		Washer	2	89	407862001	409234001	Latch opening brush, left	1
31	048030346		Snap ring	4	90	405554001		Latch presser brush, right	1
32-45	405294002		Cam button unit	1	91	405555001		Latch presser brush, left	1
32					92	038280616		Tapping screw, 2-2.6	8
33					93	408305001		Screw	6
34					94	404430001		Laying-in knitting wheel brush	2
35					95	405650001	409251001	Sinker plate, right	1
36					96	405652001	409253001	Sinker plate, left	1
37					97	405921001		Wheel brush	2
38					98	405184001	406859000	Plastic gear	4
39					99	409164001		Washer	6
40					100	002660403		Fastening screw	6
41					101-104	409429001	409255001	Plating yarn feeder assembly	1
42	405302003		Push button	5	101	409415001	409373000	Plating yarn feeder	1
43					102	409416000	409374000	Plating yarn feeder spring	1
44					103	025660336		Washer, 3.18	1
45					104	000660303		Screw	3
46	406286001		Front foot	1	105		407285000	Carriage magnet 16	2
47	404976001		Carriage cushion	2	106		004661003	Screw	2
48	000670803		Fastening screw, 3.57 x 8	4	107		409230001	Washer for tuck cam spring	
49	405307000		Rear foot	1	108		406283001	Stitch dial presser	
50	405308001		Square nut	5	109		407415004	Stitch dial cap	
51	000660803		Screw	5	110		000660603	Screw	
52	000661603		Screw	2					
53	021660406		Nut	1					
54	405311001		Stitch cam guide plate spring	2					
55	405496001		Raising cam spring	2					
56	405517001		Raising cam change spring	2					
57	406273001		Row counter tripper assembly	1					
58	406276001		Row counter tripper spring	1					
59	002660403		Fastening screw	2					
60	409371000		Carriage magnet	2					
61	004661003		Screw	2					

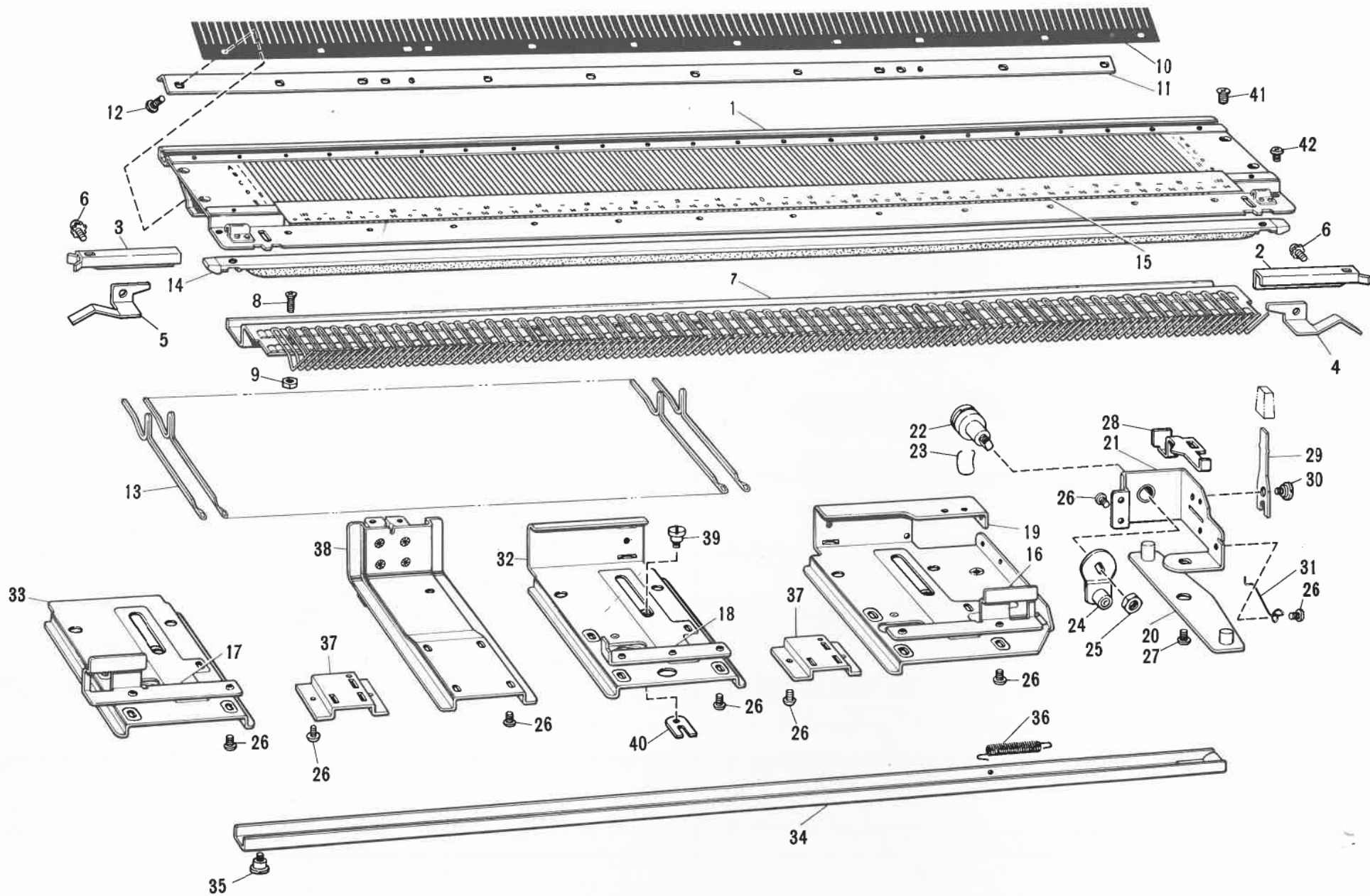


Fig. B PARTS FOR NEEDLE BED



# KH-710/120 PARTS FOR NEEDLE BED

Ref. No.	Parts No.		Discription	Q'ty	Ref. No.	Parts No.		Discription	Q'ty
	KH-710	KH-120				KH-710	KH-120		
B1	409399001	409257001	Needle bed assembly	1					
2	409261000		Extension rail guide, right	1					
3	409262000		Extension rail guide, left	1					
4	409263001		Extension rail lock spring, right	1					
5	409264001		Extension rail lock spring, left	1					
6	406397001		Screw with washer	2					
7	405074001	406808001	Needle bed comb assembly	1					
8	004630704	407089001	Screw	12					
9	405077001	406873001	Nut	12					
10	405369001	407749001	Needle retaining spring	1					
11	405370000	407750000	Needle retaining spring holder	1					
12	002631003	002630403	Fastening screw, 2.38 x 10	10					
13	404800001	406812001	Plain needle	200(258)					
14	405078001		Needle presser bar assembly	1					
15	405962001	407799001	Needle position indicator	1					
16	403911000	407086000	Sponge bar guide, right	1					
17	403912000	407081000	Sponge bar guide, left	1					
18	403913001		Sponge bar guide, center	1					
19	405373001		Stay right assembly	1					
20	405377001		Setting link right	1					
21	405380001		Stay right enforcing plate	1					
22-23	405665001		Set lever holder assembly	1					
24	404196001		Set lever crank	1					
25	021770106		Nut	1					
26	002660503		Screw	27					
27	002669303		Screw	1					
28	405385001		MC change plate	1					
29	405386001		MC change lever	1					
30	405387001		Stud screw, 3.18	1					
31	405388001		MC change lever spring	1					
32	405389001		Stay center assembly	1					
33	405391001		Stay left assembly	1					
34	404436001		Connecting rod assembly	1					
35	405393001		Stud screw, 3.18	3					
36	405430001		Connecting rod spring	1					
37	409265000		Lower holder plate	2					
38	405395001		Yarn tension rod stand	1					
39	405398001		Stud screw	3					
40	405399001		Nut	3					
41	407119001		Screw	4					
42	000660604		Screw	2					

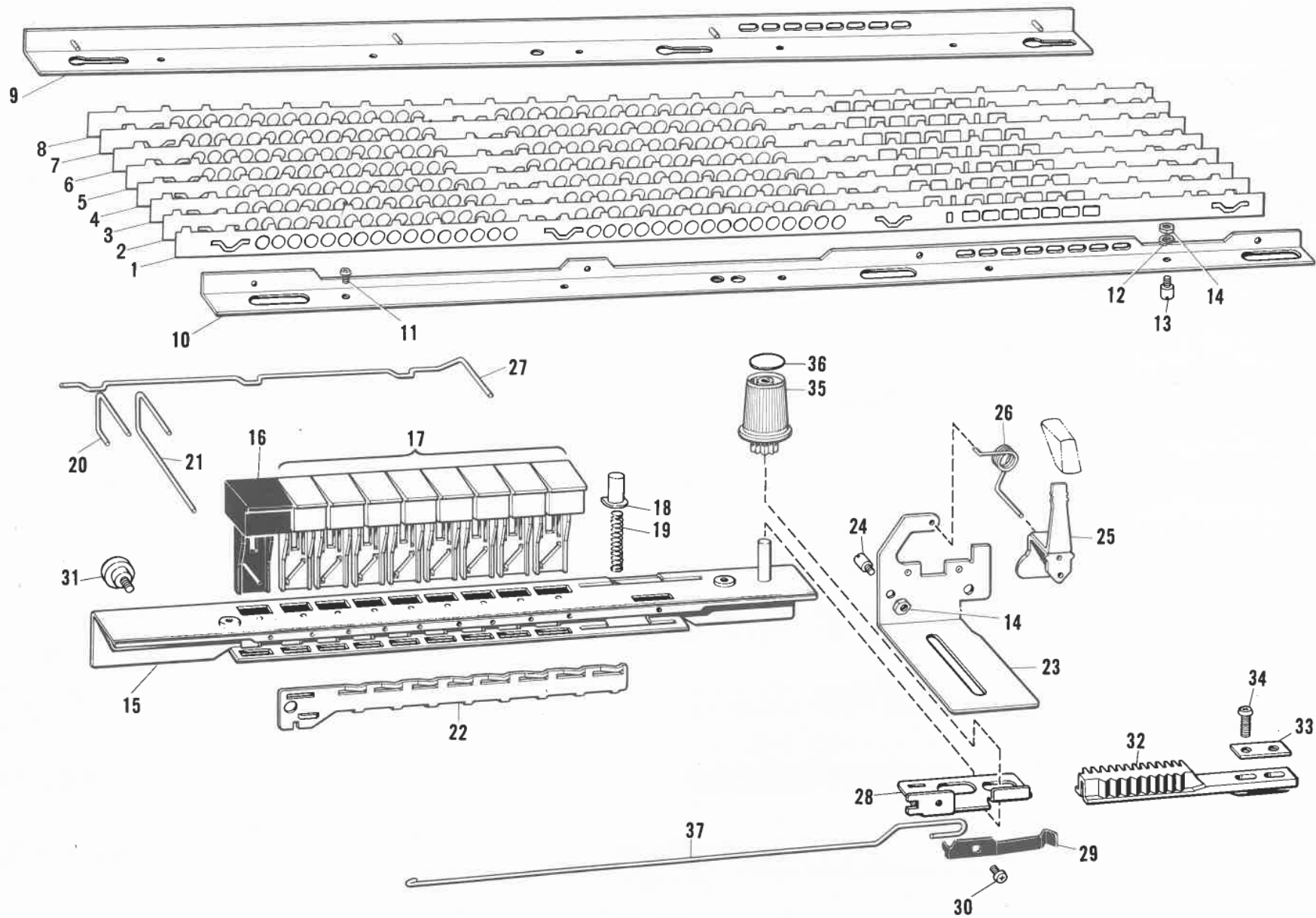


Fig. C PARTS FOR NEEDLE SELECTOR UNIT

# KH-710/120 PARTS FOR NEEDLE SELECTOR UNIT

Ref. No.	Parts No.		Discription	Q'ty	Ref. No.	Parts No.		Discription	Q'ty
	KH-710	KH-120				KH-710	KH-120		
C1	403946001	407758001	Needle selector plate No. 1	1					
2	403947001	407759001	Needle selector plate No. 2	1					
3	403948001	407760001	Needle selector plate No. 3	1					
4	403949001	407761001	Needle selector plate No. 4	1					
5	403950001	407762001	Needle selector plate No. 5	1					
6	403951001	407763001	Needle selector plate No. 6	1					
7	403952001	407764001	Needle selector plate No. 7	1					
8	403953001	407765001	Needle selector plate No. 8	1					
9	404792001		Needle selector plate holder, A	1					
10	404794000		Needle selector plate holder, B	1					
11	002660403		Fastening screw	4					
12	028350243		Spring washer	1					
13	403957001		Needle selector plate holder guide pin	1					
14	021660406		Nut	3					
15-27	405400003		Needle selector button unit	1					
15	405401001		Frame	1					
16	405404003		Release button	1					
17	405405003		Needle selector button	8					
18	405406000		Release spring holder	9					
19	405407001		Release spring	9					
20	405408001		Release button crank	1					
21	405409001		Push button crank	8					
22	405410001		Push button release plate	1					
23	405411001		Reverse slide plate, A	1					
24	405414001		Reverse slide plate guide pin	2					
25	405415001		Reverse cam	1					
26	405418001		Reverse cam spring	1					
27	405419001		Push button crank stopper	1					
28	405420001		Reverse slide plate, B	1					
29	405421001		Slide stop spring	1					
30	002660503		Screw	1					
31	405422001		Stud screw	2					
32	405423000	407756000	Rack gear	1					
33	405494000		Rack gear upper plate	1					
34	002661003		Screw	2					
35-36	405424008		Slide dial assembly	1					
37	405468001		Slide meter connecting wire	1					

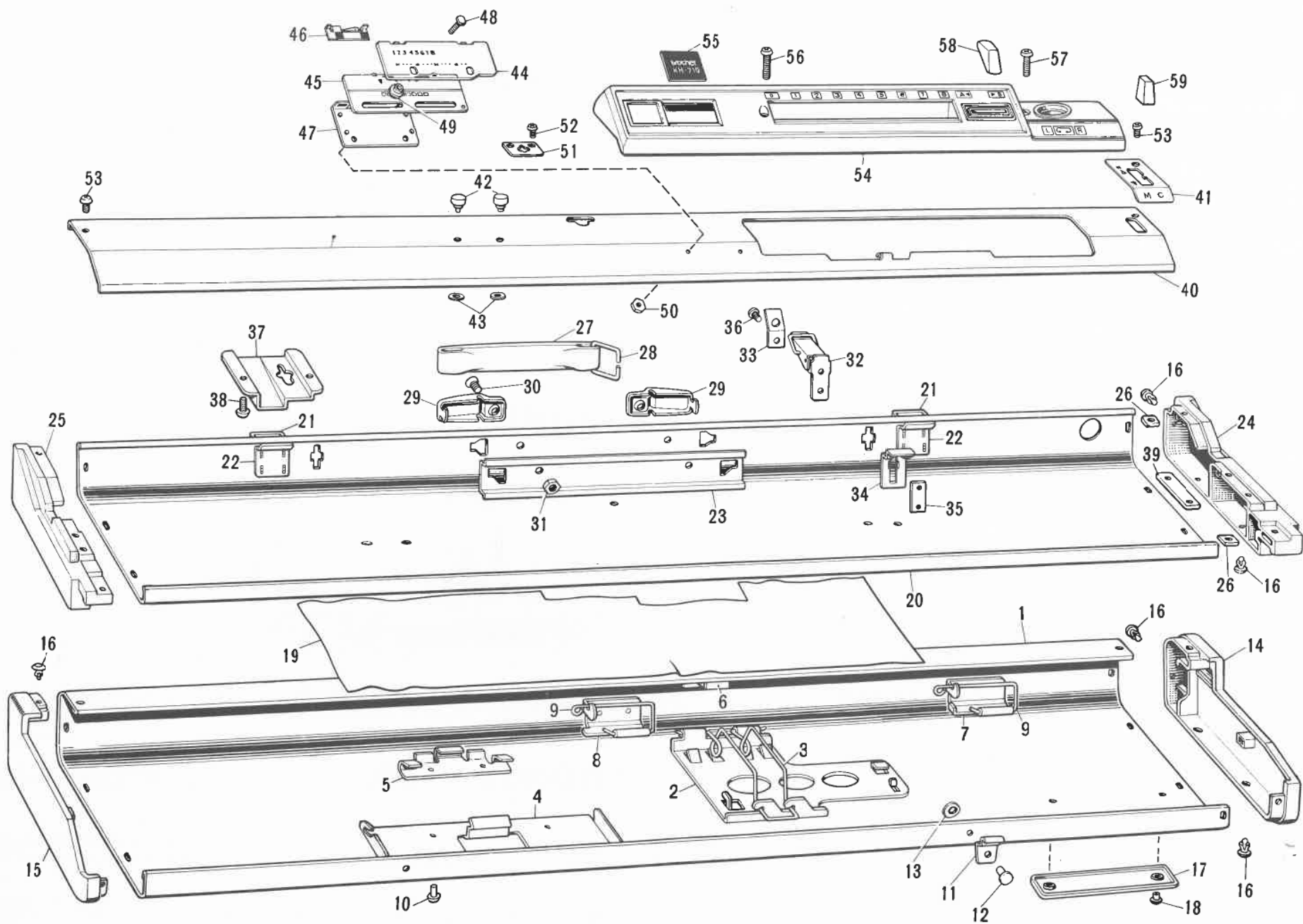


Fig. D PARTS FOR CARRYING CASE

# KH-710/120 PARTS FOR CARRYING CASE

Ref. No.	Parts No.		Discription	Q'ty	Ref. No.	Parts No.		Discription	Q'ty
	KH-710	KH-120				KH-710	KH-120		
D1-36	409403001	409475001	Carrying case complete	1	D53	002660704		Screw	2
D1-19	409404001	409476001	Carrying case upper assembly	1	54-55	409425001	409479001	Panel assembly	1
1	409270001		Carrying case upper body	1	54	405549003		Push button panel	1
2	409272001		Sinker plate holder plate	1	55	409424001	409480001	Model number plate	1
3	409273000		Sinker plate holder plate spring	1	56	000661604		Fastening screw	1
4	409274001		L carriage holder plate, front	1	57	000661204		Fastening screw	1
5	408372001		L carriage holder plate, rear	1	58	405427007		Reverse lever knob	1
6	405586010		Extension rail holder plate	1	59	405428007		MC change lever knob	1
7	409406001		Cast-on comb holder plate, right	1					
8	409407001		Cast-on comb holder plate, left	1					
9	409277000		Cast-on comb holder plate spring	2					
10	406251001		Rivet	13					
11	404048001		Hook for lock assembly	2					
12	403520001		Rivet for hook	2					
13	403615001		Washer	2					
14	408198003		Upper side plate, right	1					
15	408199003		Upper side plate, left	1					
16	408194001		Plastic rivet	16					
17	409420001	409477001	Brother name plate	1					
18	408037001		Rivet	2					
19	409266001		Packing instruction sheet	1					
20-39	409278001		Carrying case lower assembly	1					
20	409279001		Carrying case lower body	1					
21	409280001		Knit-leader holder plate	2					
22	408354000		Knit-leader holder plate lock plate	2					
23	405114001		Handle reinforcing plate	1					
24	408202003		Lower side plate, right	1					
25	408203003		Lower side plate, left	1					
26	407252001		Square nut, 3.18	4					
27	402422004		Carrying case handle	1					
28	400233001		Carrying case handle ring	2					
29	402338001		Carrying case handle bracket	2					
30	405660001		Fastening screw	2					
31	021680105		Nut	2					
32	404022001		Carrying case lock assembly	2					
33	404027001		Carrying case lock spring	2					
34	404028001		Needle bed rear cover holder	2					
35	403542001		Fastening plate	2					
36	405658001		Fastening screw	4					
37	409282001		Table clamp setting plate	2					
38	000660504		Fastening screw	4					
39	408204000		Needle bed fastening plate	2					
40-43	409422001		Needle bed reare cover assembly	1					
40	409286001		Needle bed rear cover	1					
41	405546001		MC change lever indicator plate	1					
42	405118001		Row counter holder pin	2					
43	405147001		Washer	2					
44	405464000	407772001	Slide meter indicator	1					
45	405547003	407904002	Slide meter	1					
46	405466001		Slide direction indicator	1					
47	405467000		Slide meter holding plate	1					
48	405469001		Fastening screw	2					
49	405470001		Slide meter guide collar	2					
50	405127001		Nut	2					
51	405471001		Yarn tension hole decorator	1					
52	002660504		Fastening screw	2					

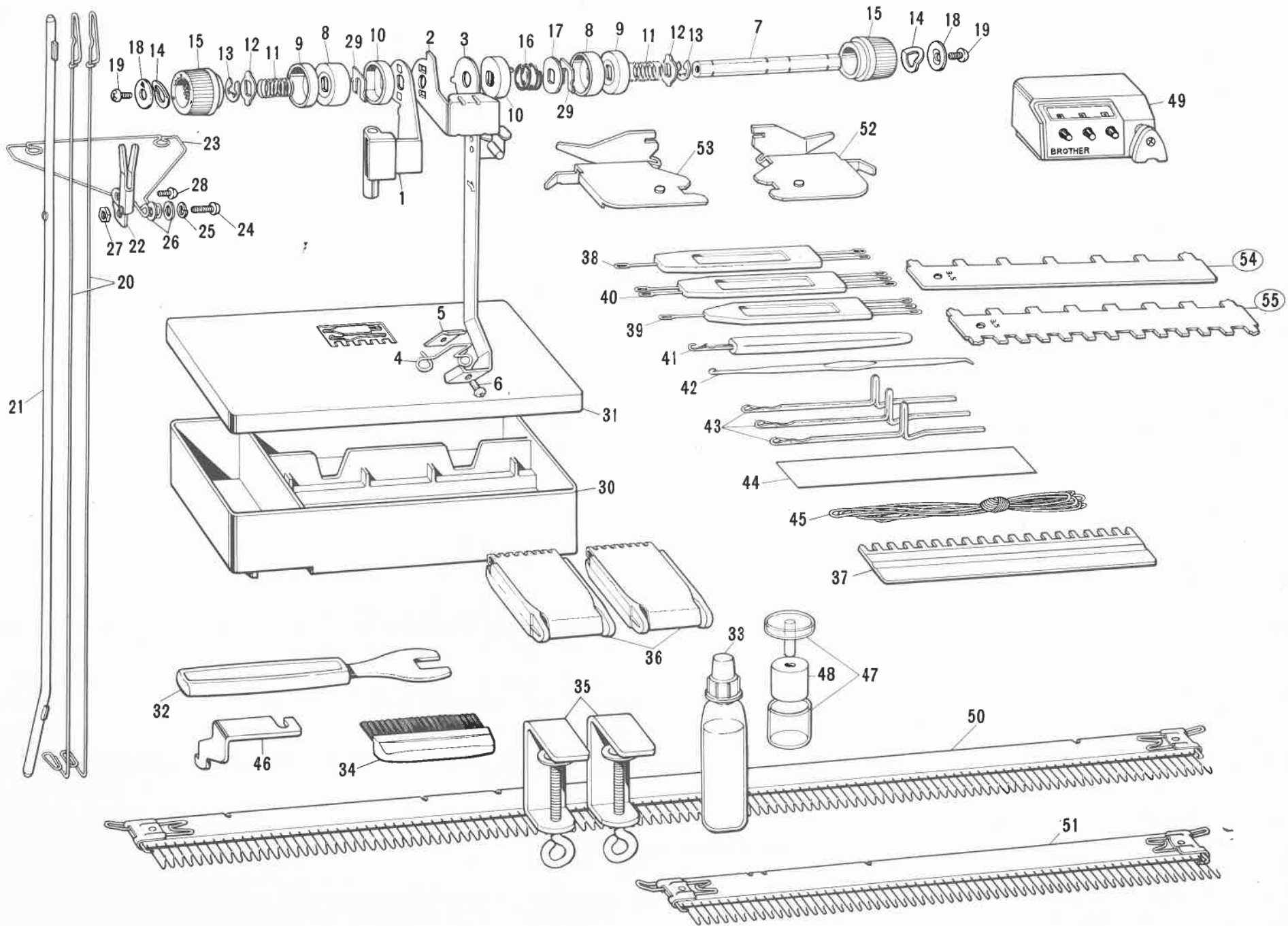


Fig. E PARTS FOR ACCESSORIES

# KH-710/120 PARTS FOR ACCESSORIES

Ref. No.	Parts No.		Discription	Q'ty	Ref. No.	Parts No.		Discription	Q'ty
	KH-710	KH-120				KH-710	KH-120		
E1-29	409289001		Yarn tension unit assembly	1					
1									
2									
3									
4									
5									
6									
7									
8									
9									
10									
11									
12									
13									
14									
15									
16									
17									
18									
19									
20	404755001		Take-up spring	2					
21									
22									
23									
24									
25									
26									
27									
28									
29									
30-31	409360002		Accessories box	1					
32	403078003		Set lever	1					
33	405135004		Special knitting machine oil	1					
34	403552001		Handle brush	1					
35	407510001		Table clamp	2					
36	404883005	410048001	Claw weight	2					
37	407482001		1/1 Needle pusher	1					
38	402576001	406836002	1 × 2 Transfer tool	1					
39	402575001	406834002	1 × 3 Transfer tool	1					
40	402631001	406837002	2 × 3 Transfer tool	1					
41	407458001	406861002	Latch tool	1					
42	402577001		Crochet	1					
43	404800001	406812001	Plain needle	3					
44	407483000		Spare needle case	1					
45	402389001		Cast-on thread	1					
46	406667001		Carriage lock	1					
47	404823000		Wax case	1					
48	404811000		Yarn wax	1					
49	405134006		Row counter	1					
50	404787004	406840004	Cast-on comb, long	1					
51	404884004	406849004	Cast-on comb, short	1					
52	406628001	409482001	Laying-in thread guide, right	1					
53	406631001	409484001	Laying-in thread guide, left	1					
54		406860001	1/2 × 2/3 Needle pusher	1					
55		407776001	1/5 Needle pusher	1					

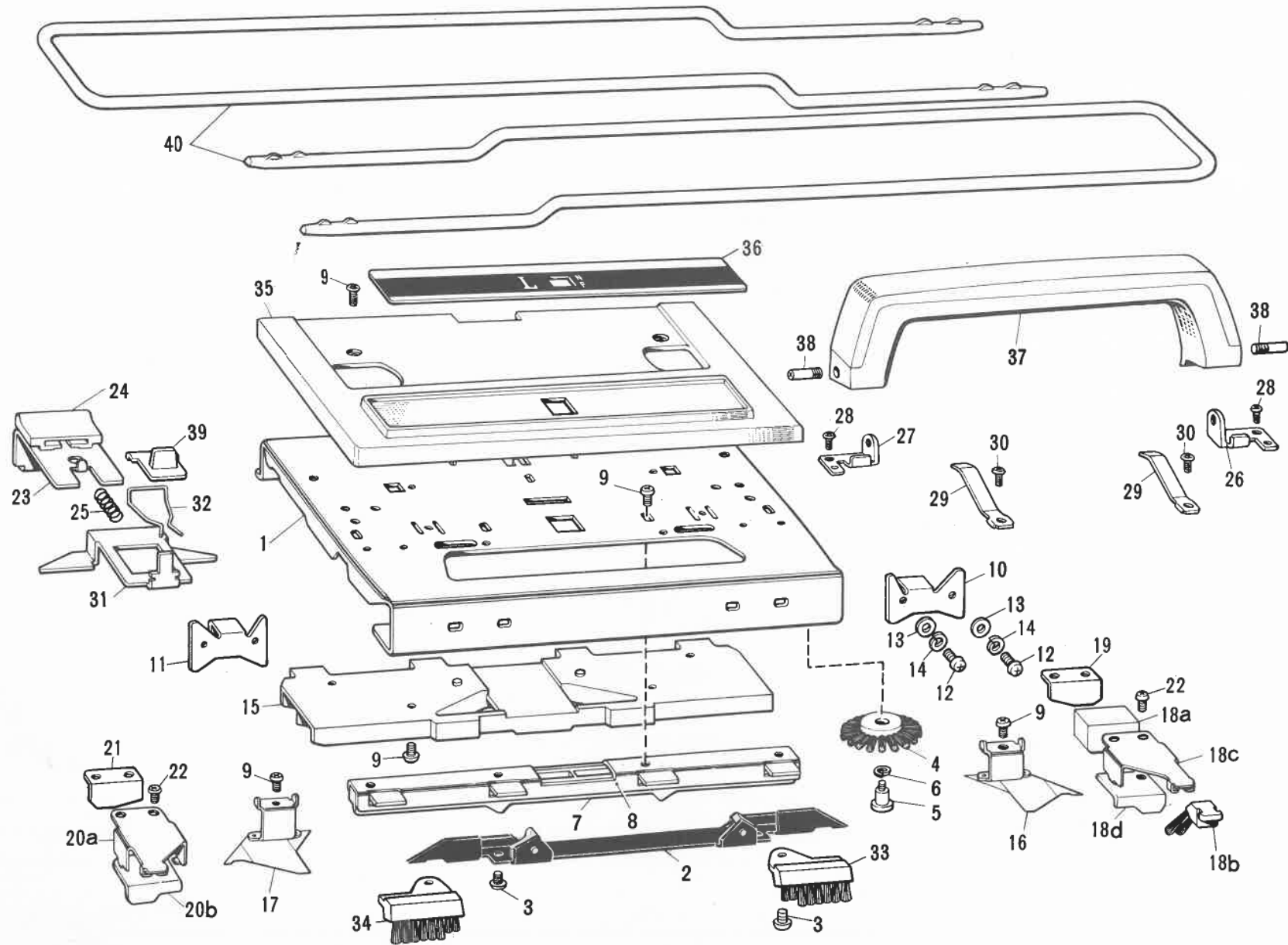


Fig. F PARTS FOR L-CARRIAGE



# KH-710/120 PARTS FOR L-CARRIAGE

Ref. No.	Parts No.		Discription	Q'ty	Ref. No.	Parts No.		Discription	Q'ty
	KH-710	KH-120				KH-710	KH-120		
F1-39	409408001	409481001	L carriage assembly	1					
1	409292001	409293001	L carriage plate	1					
2	409410001	405024001	Cam plate	1					
3	000660403		Screw	4					
4	405921001		Wheel brush	2					
5	405029001		Stud screw	2					
6	028030243		Spring washer	2					
7	405030001		Front foot for L carriage	1					
8	405031001		Front foot holder	1					
9	000660503		Fastening screw	12					
10	406847001		Needle transfer plate, right	1					
11	406848001		Needle transfer plate, left	1					
12	000660504		Fastening screw	4					
13	403069001		Washer	4					
14	028030243		Spring washer	4					
15	409296000		Main cam	1					
16	407082001		Spring plate, right	1					
17	407084001		Spring plate, left	1					
18*	406010001		Magnet box assembly, right	1					
18A	406011000		Magnet for L carriage	2					
18B	405043001		Small brush	2					
18C	405044000		Magnet box, right	1					
18D	406012001		Spring plate reinforcing plate, right	1					
19	407834000		Latch stopper plate, right	1					
20*	406013001		Magnet box assembly, left	1					
20A	405046000		Magnet box, left	1					
20B	406014001		Spring plate reinforcing plate, left	1					
21	407835000		Latch stopper plate, left	1					
22	002660403		Fastening screw	4					
23-24	409294001		Release button assembly	1					
27	408387001		Handle setting base, left	1					
28	000670403		Screw	2					
29	408388001		Handle lock spring	2					
30	000660303		Screw	2					
31	409301001		Lace selecting cam	1					
32	408583001		Change lever spring	1					
33	409302001	409458001	Small brush, right	1					
34	409303001	409459001	Small brush, left	1					
35-36	409426001	409426002	L carriage cover assembly	1					
37	407503006		L carriage handle	1					
38	407422001		Screw	2					
39	408584003		Lace selecting knob	1					
40	409309001		Extension rail	2					

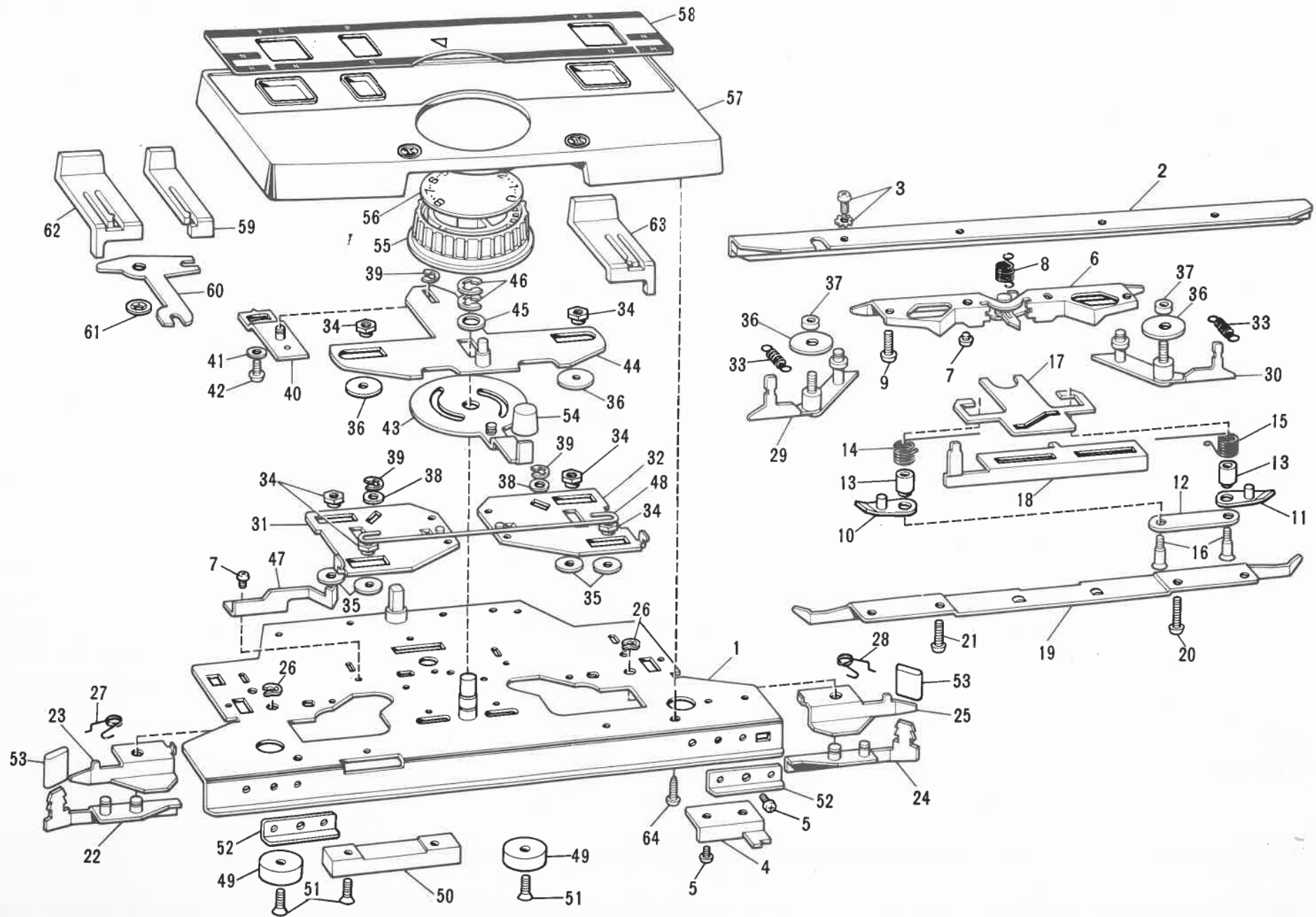


Fig. A PARTS FOR CARRIAGE

# KR-710/120 PARTS FOR CARRIAGE

Ref. No.	Parts No.		Discription	Q'ty	Ref. No.	Parts No.		Discription	Q'ty
	KR-710	KR-120				KR-710	KR-120		
A1-64	409430001	409488001	Carriage complete set	1	A56	405575003		Stitch dial indicating plate	1
1	409431001	409316001	Carriage plate	1	57-58	408965002	408965003	Carriage cover assembly	1
2	408702001		Front foot	1	58	408966002	408966003	Carriage cover decoration plate	1
3	406397001		Screw with washer	4	59	408782002		Tuck cam knob	1
4	408705001		Carriage plate stopper	1	60	408783001		Tuck cam lever	1
5	000660403		Screw	4	61	408784001		Pushing nut	1
6	408706001	409375001	Sub stitch cam assembly	1	62	408786002		Raising cam lever, left	1
7	000660303		Screw	3	63	408785002		Raising cam lever, right	1
8	408710001		Swing cam spring	1	64	037351615		Tapping screw	4
9	000660803		Screw	2					
10	408711001		Tuck cam assembly, right	1					
11	408714001		Tuck cam assembly, left	1					
12	408716001		Tuck cam plate	1					
13	408717001		Stud for tuck cam	2					
14	408718001		Tuck cam spring, right	1					
15	408719001		Tuck cam spring, left	1					
16	407299001		Screw	2					
17	408720001		Tuck cam change plate	1					
18	408721001		Tuck cam operating plate	1					
19	408722001		Sub raising cam	1					
20	000661603		Screw	1					
21	409163001		Screw	1					
22	408723001		Change cam assembly, right	1					
23	408726001		Guide cam, right	1					
24	408727001		Change cam assembly, left	1					
25	408729001		Guide cam, left	1					
26	405523001		Snap ring, 4	2					
27	408318001		Change cam spring, right	1					
28	408319001		Change cam spring, left	1					
29	408730001		Stitch cam assembly, right	1					
30	408735001		Stitch cam assembly, left	1					
31	409094001		Stitch cam slide plate, right	1					
32	409097001		Stitch cam slide plate, left	1					
33	408759001		Raising cam spring	2					
34	408760001		Nut	6					
35	408761001		Washer	4					
36	408738001		Washer	4					
37	408739001		Collar	2					
38	403387001		Washer	2					
39	048030346		Snap ring	3					
40	408762001		Stitch adjuster plate assembly	1					
41	404684002		Washer	1					
42	000660503		Fastening screw	1					
43	409318001		Stitch cam slide lever assembly	1					
44	408766001	409381001	Stitch cam guide plate assembly	1					
45	405516001		Washer	1					
46	048050346		Snap ring	2					
47	408769001		Stitch cam adjusting spring	1					
48	408770001		Stitch cam slide plate spring	1					
49	407285000		Carriage magnet 16	2					
50	408838000		Magnet	1					
51	408773001		Flat head screw 3.18 x 9	4					
52	408834001		Carriage stopper	2					
53	408774002		Change cam knob	2					
54	408775002		Stitch cam slide lever knob	1					
55	406700003	409384001	Stitch dial	1					

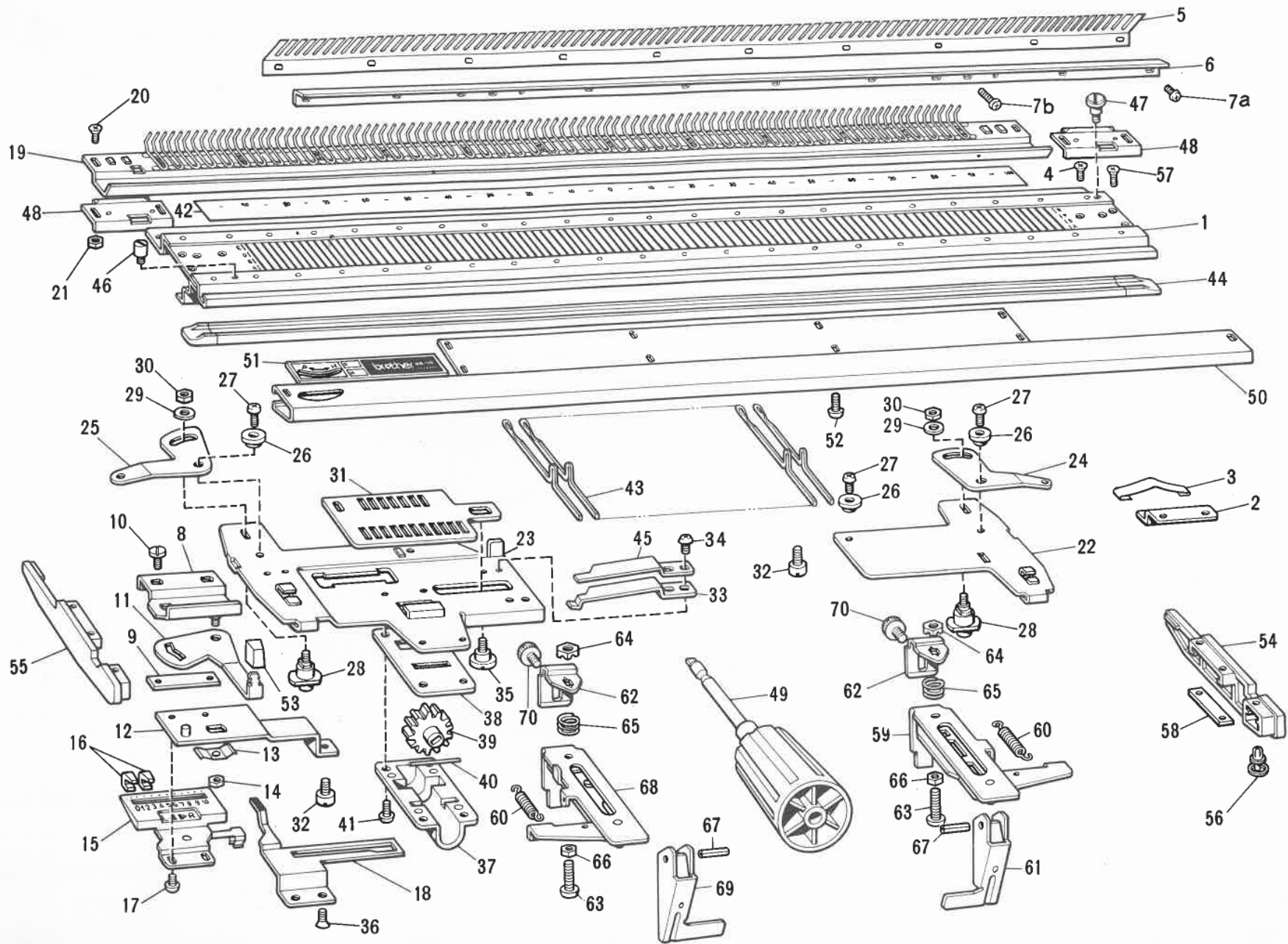


Fig. B PARTS FOR NEEDLE BED

# KR-710/120 PARTS FOR NEEDLE BED

Ref. No.	Parts No.		Discription	Q'ty	Ref. No.	Parts No.		Discription	Q'ty
	KR-710	KR-120				KR-710	KR-120		
B1	409437001	409330001	Needle bed	1	B56	408194001		Plastic rivet	4
2	404627001		Plastic bar guide	1	57	405663001		Screw	4
3	403208001		Plastic bar guide spring	1	58	408191001		Needle bed fastening plate	2
4	004630704		Screw	2	59-67 & 70	409440001	409337001	Bracket, right assembly	1
5	403368001	406935001	Needle retaining spring	1	59	409338001		Bracket, right	1
6	407750000		Needle retaining spring holder	1	60	403267001		Lever spring	2
7a	002630403		Screw	2	61	409340001		Reinforcing plate assembly, R	1
7b	002631003		Fastening screw, 2.38 x 10	8	62	409444001	409321001	Bracket stopper	2
8	404935001		Notch adjusting plate assembly	1	63	408808001		Screw	2
9	403214001		Notch adjusting plate presser plate	1	64	408809001		Nut	2
10	408788001		Flat head screw	2	65	408924002		Spring	2
11	404937001	406936001	Half pitch lever	1	66	408810001		Nut	2
12	407659001		Notch plate connecting rod	1	67	047201443		Spring pin	2
13	403220001		Spring plate	1	60 & 62-70	409441001	409343001	Bracket, left assembly	1
14	021680105		Nut	1	68	409344001		Bracket, left	1
15	403221001	406937001	Racking movement indicator	1	69	409345001		Reinforcing plate assembly, L	1
16	403228001		Pattern range peg	2	70	408777001		Thumb screw	2
17	406295001		Screw	2					
18	407661001		Racking movement indicator line	1					
19	408791001	409333001	Needle bed comb assembly	1					
20	004630704	407089001	Screw	14					
21	405077001	406873001	Nut	14					
22	403233001		Slide plate, right	1					
23	407663001	407809001	Slide plate, left	1					
24	407664001		Height adjuster plate, right	1					
25	407665001		Height adjuster plate, left	1					
26	403236001		Hinge collar	4					
27	405664001		Screw	4					
28	403237001		Slide plate guide stud	2					
29	402447003		Washer	2					
30	408793001	021680105	Nut	2					
31	407810001		Notch plate	1					
32	407677001		Screw	2					
33	407669001	407811001	Notch plate spring	1					
34	002660503		Screw	2					
35	407670001		Screw	1					
36	004660504		Screw	2					
37	407671000		Gear cover	1					
38	407672001		Gear holding plate	1					
39	407673001		Gear	1					
40	407674001		Grip spring	1					
41	000660603		Screw	4					
42	408794001	409335001	Needle position indicator	1					
43	404648001	406945001	Purl needle	200(258)					
44	404649001		Plastic bar	1					
45	409160001	409161001	Notch plate spring supporter	1					
46	408796001		Screw	1					
47	408795001		Screw	1					
48	409439001	409336001	Spacer	2					
49	407675002		Grip assembly	1					
50	408818002		Needle bed rear cover	1					
51	409442001	409490001	Half pitch lever indicator plate	1					
52	408307001		Screw	8					
53	403246004		Half pitch lever knob	1					
54	408190002		Side cover, right	1					
55	408189002		Side cover, left	1					

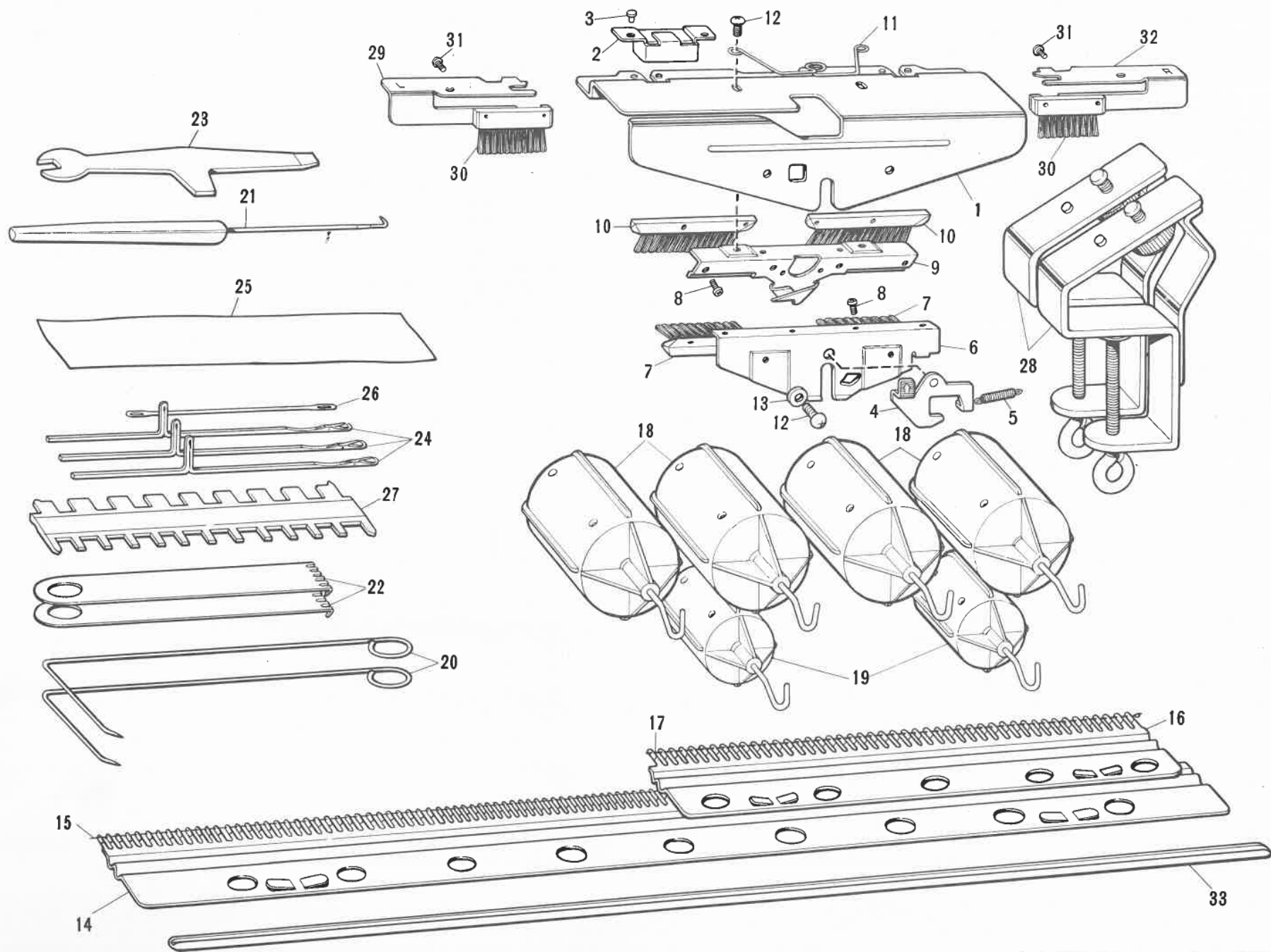


Fig. C	PARTS FOR ACCESSORIES
--------	-----------------------

# KR-710/120 PARTS FOR ACCESSORIES

Ref. No.	Parts No.		Discription	Q'ty	Ref. No.	Parts No.		Discription	Q'ty
	KR-710	KR-120				KR-710	KR-120		
C1-13	409434001	409323001	Connecting arm assembly	1					
1	409351001		Connecting arm	1					
2	406784001		Magnet box assembly	1					
3	043209304		Rivet	2					
4	409324001		Connecting hook	1					
5	406787001		Connecting hook spring	1					
6	409327001		Brush arm	1					
7	405199001		Brush	2					
8	037280613		Screw	8					
9	407012000	407078000	Yarn feeder	1					
10	409328001		Brush	2					
11	406788001		Yarn feeder spring	1					
12	408305001		Screw	4					
13	025660336		Washer, 3.18	2					
14	403278006	407813001	Cast-on plate, long	1					
15	403279001		Wire, long	1					
16	403280006	407814001	Cast-on plate, short	1					
17	403281001		Wire, short	1					
18	408014001		Large weight	4					
19	408015001		Small weight	2					
20	403285001		Weight hanger	2					
21	403286001		Work hook	1					
22	403313001		Claw weight hanger	2					
23	408826001		Adjusting tool	1					
24	404648001	406945001	Purl needle	3					
25	407483000		Spare needle case	1					
26	486101001	407815001	Double eyelet transfer needle	1					
27	408827001	406946001	1/1 x 2/2 Needle pusher	1					
28	405503001		Table clamp	2					
29-31	406065001		Needle stopper assembly, left	1					
29	406066001		Needle stopper, left	1					
30-32	406067001		Needle stopper assembly, right	1					
30	406786001		Brush	1					
31	037280613		Screw	4					
32	406068001		Needle stopper, right	1					
33	409965001		Fine knitting bar	1					